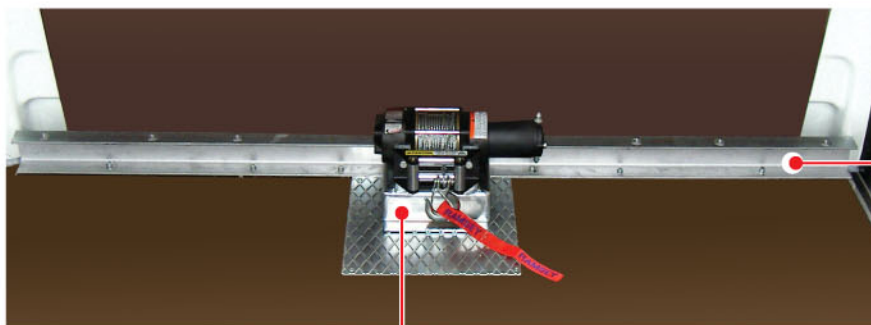
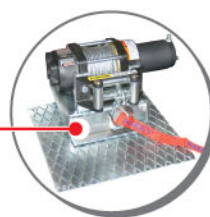


SUPPORT FOR MOVABLE WINCH



REINFORCED RAIL
with ancorage support for movable winch

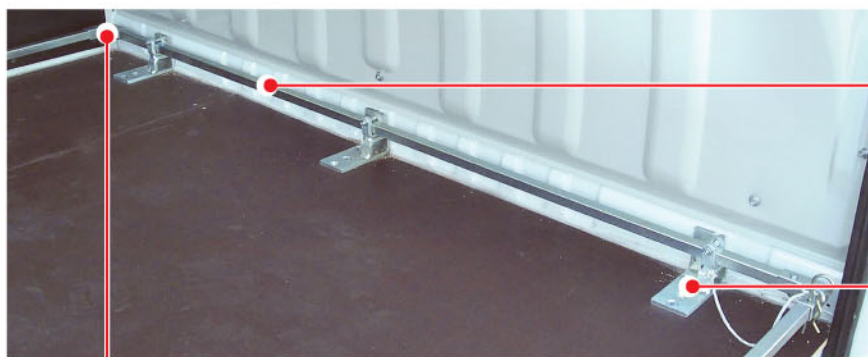
ANCOR BRACKET
FOR MOVABLE WINCH



WIRELESS REMOTE CONTROL
WITH WINCH CABLE:
Length: 15 mt
Towing capacity: 1134 Kg
Power: 12 Volt

FLOOR ANCHORAGE SYSTEM

- SECURE AND ROBUST ANCHORAGE
- VERSATILE ANCHORED POSITIONS



TUBE
lenght 200 cm - 20x20
9V.009

ANCHORAGE SUPPORT
9V.007

"L" SHAPED STRENGTHENING
9V.008

WHEELARCH COVER WITH BUILT-IN STORAGE SPACE



THE WHEELARCH COVER
IS MADE TO MEASURE
FOR EACH VEHICLE.

MODULAR SYSTEM

The WM System MODULAR SYSTEM is an ideal ACCESSORY kit, making the inside of your van more practical. The various custom options make this modular system a safe and practical solution.



COMPLETE LADDER RACK **9V.006**



SIDE SUPPORT KIT **9V.004**

STAINLESS STEEL
CONTAINER 21X100 cm **9V.005**
(available with or without safety retainer)



- OPTIMISED SPACE -
THE CONTAINER
STAYS OVER
THE WHEELARCH
- OPTIMISED SPACE -

FASTENING BELT

9V.010



EXTINGUISHER SUPPORT

9V.011

