

WM MOBILE

The WM MOBILE ramp, entirely made of non-slip aluminium, extends the range of WM System ramps: the main characteristic is its special support, ensuring a safe non-fixed connection on to the vehicle.

The specially designed support system is adjustable and provides 4 positions to better adapt to the different heights of the vans.

Furthermore, this special connection system makes the use of the ramp extremely safe and allows a level positioning within the loading floor.

When not in use, the WM MOBILE folds into 2 parts to be easily stowed in the van.

With 2 side handles and its simplicity, it is very easy to handle.

WM MOBILE is equipped with anti-fall lateral edges of 5 cm on both sides in green.

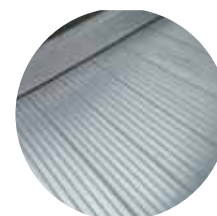
The sizes of the WM MOBILE ramp can be customised with widths from 30 to 100cm and lengths from 150 to 325cm. The loading capacity is 300 kg.



HANDLES



SIDE EDGES

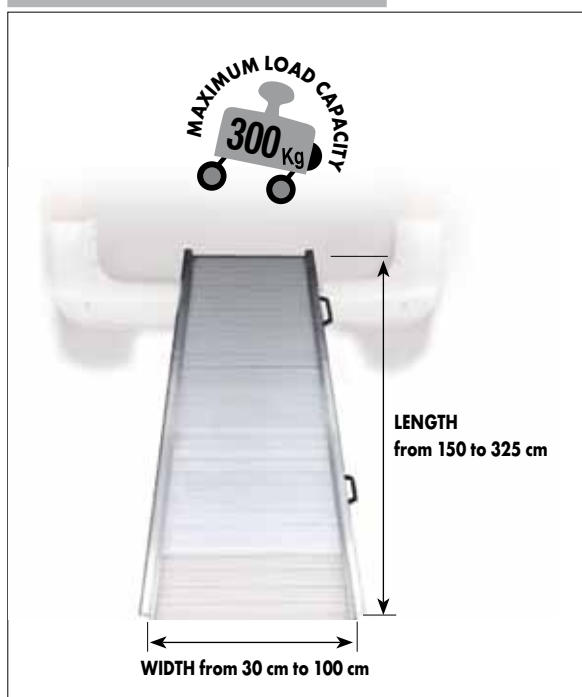


ANTI-SLIP

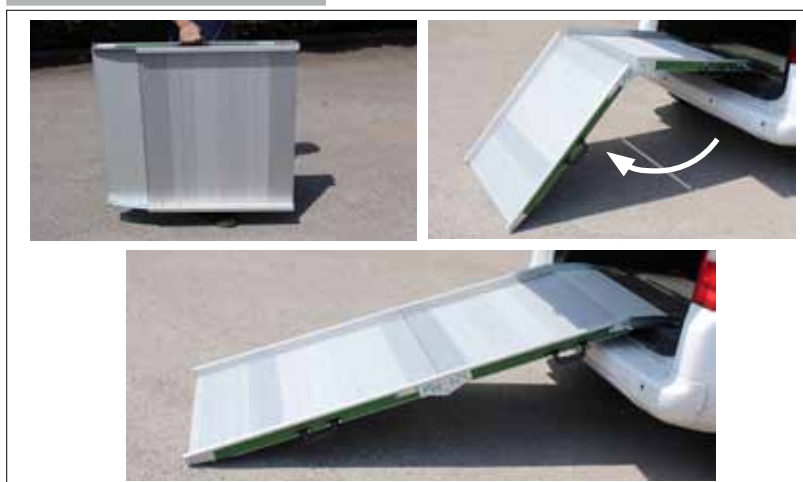


SUPPORT SYSTEM

DIMENSIONS & LOAD CAPACITY



MOVEMENTS



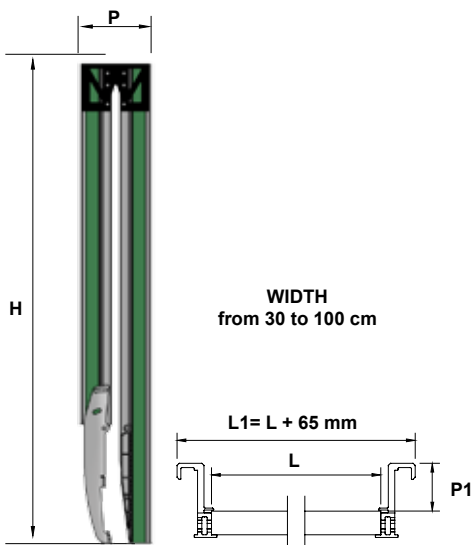
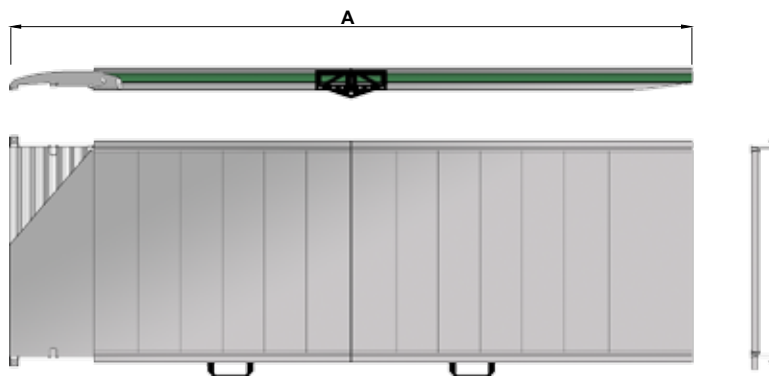
USES



WM MOBILE TECHNICAL DATA



www.wmsystem.com



MAXIMUM LOAD CAPACITY
300 Kg

WARRANTY: 2 years

Model	A (mm)	H (mm)	L (mm) ex: 600	L1 (mm)	P (mm)	P1 (mm)	Load (Kg)	Weight (Kg)
WM MOBILE cm 150	1500	780	600	L+65	155	45	300	20,2
WM MOBILE cm 175	1750	905	600	L+65	155	45	300	22,1
WM MOBILE cm 200	2000	1030	600	L+65	155	45	300	24
WM MOBILE cm 225	2250	1155	600	L+65	155	45	300	25,9
WM MOBILE cm 250	2500	1280	600	L+65	155	45	300	27,8
WM MOBILE cm 275	2750	1405	600	L+65	155	45	300	29,7
WM MOBILE cm 300	3000	1530	600	L+65	155	45	300	31,6
WM MOBILE cm 325	3250	1655	600	L+65	155	45	300	33,5