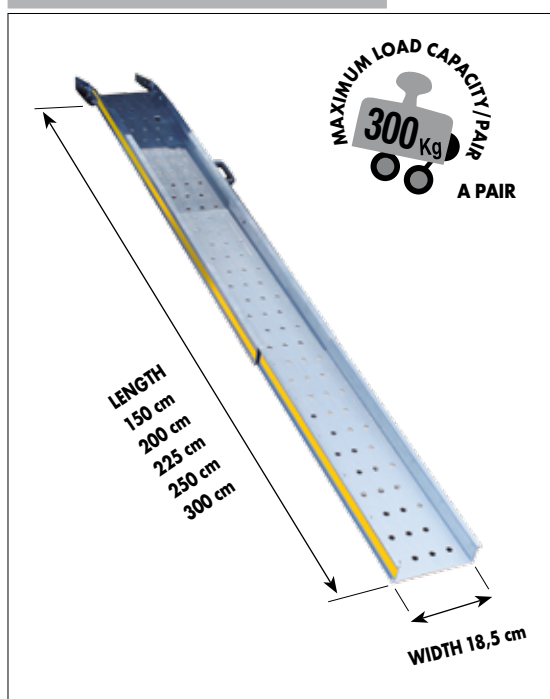


WM TELESCOPIC

This simple type of ramp, WM TELESCOPIC, is characterised by its practicality and simplicity. The pair of telescopic ramps are made from anti-slip perforated aluminium with anti-fall lateral edges, and is equipped with a side handle for easy transport. The ramps are lightweight and the support system is adjustable, offering easy use and being adaptable to any surface and altitude. The ramp is equipped with a specially designed support system, through an adjustable flap, that guarantees a safe and non-fixed connection on to the vehicle. The width of each ramp is 18,5 cm while the length is available in 5 sizes: 150, 200, 225, 250 and 300 cm. The load capacity of a pair of WM TELESCOPIC, is 300 Kg. The locking hook allows an easy closing, once the ramp has been slid into one another. WM TELESCOPIC takes up little space when not in use. The yellow reflective sides distinguishes this variety of ramps.



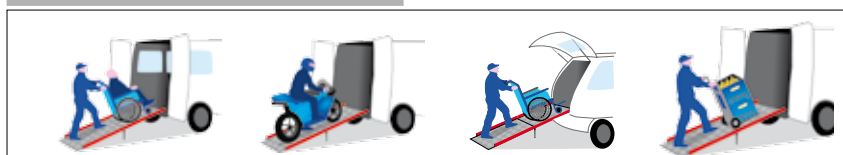
DIMENSIONS & LOAD CAPACITY



MOVEMENTS



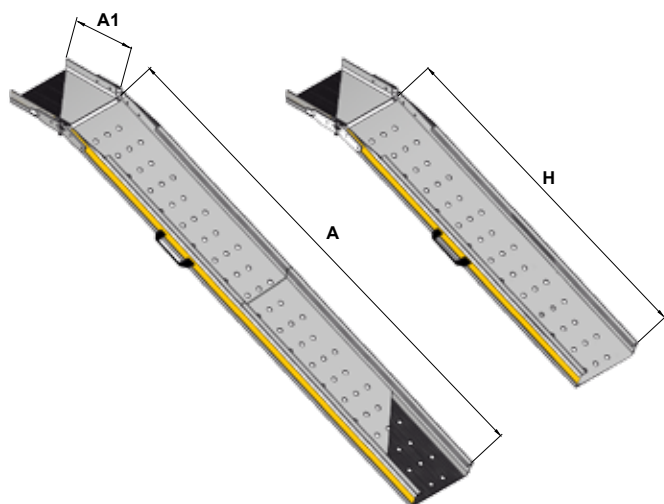
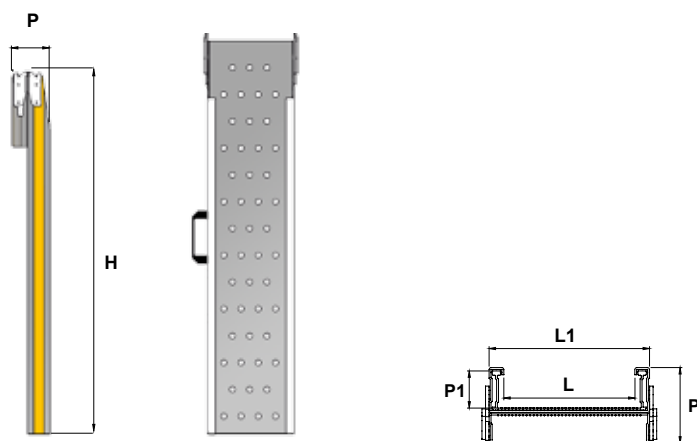
USES



WM TELESCOPIC TECHNICAL DATA



www.wmsystem.com



 **MAXIMUM LOAD CAPACITY**
300 Kg A PAIR

WARRANTY: 2 years

Model	A (mm)	A1 (mm)	H (mm)	L (mm)	L1 (mm)	P (mm)	P1 (mm)	Load a pair (Kg)	Weight (Kg)
WM TELESCOPIC cm 150	1500	200	900	185	225	106	55	300	4,6
WM TELESCOPIC cm 200	2000	200	1150	185	225	106	55	300	6,2
WM TELESCOPIC cm 225	2250	200	1275	185	225	106	55	300	7
WM TELESCOPIC cm 250	2500	200	1400	185	225	106	55	300	7,7
WM TELESCOPIC cm 300	3000	200	1650	185	225	106	55	300	8,4